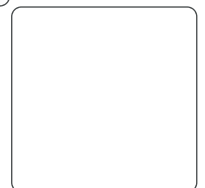




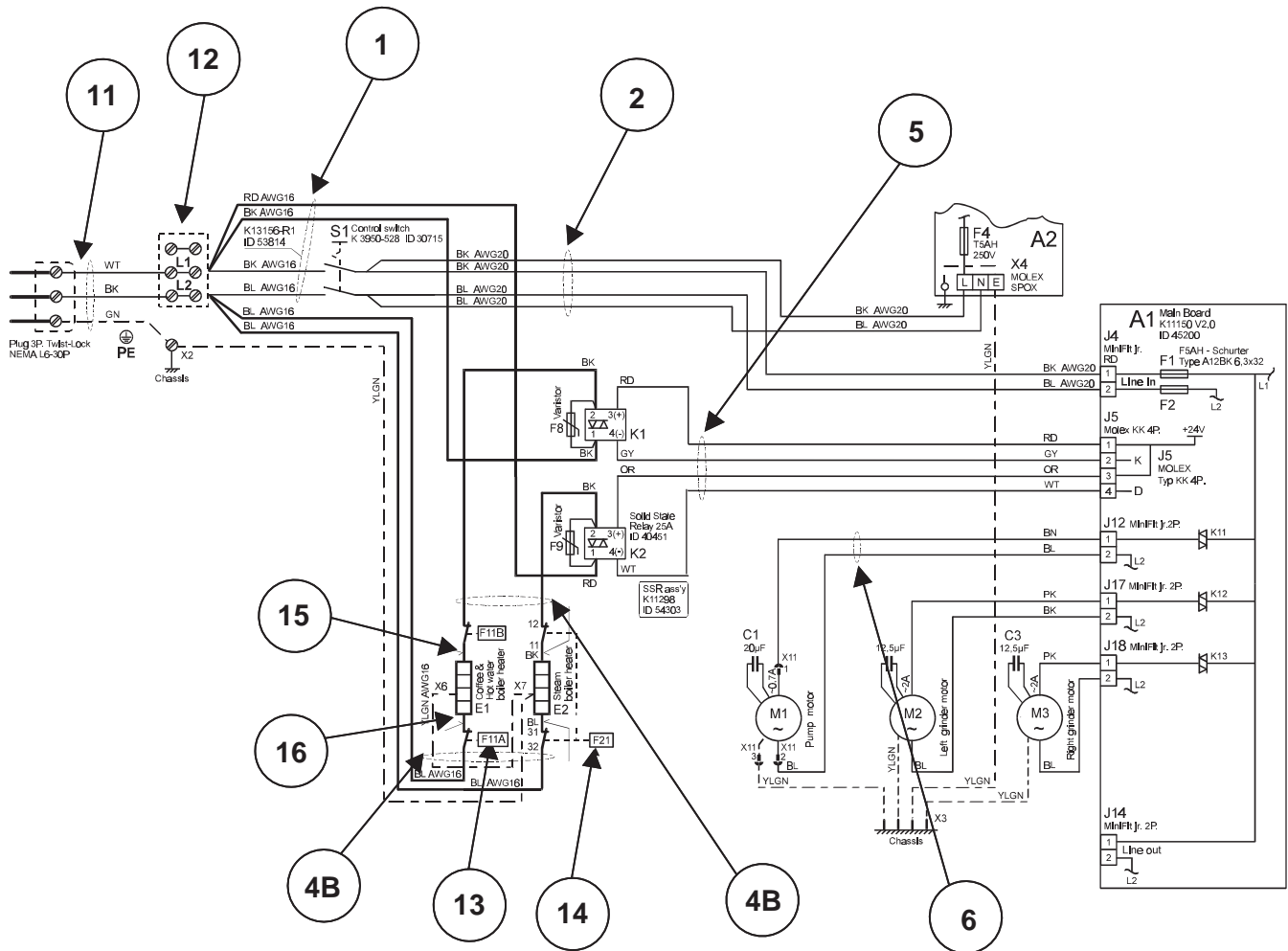
# EGRO PARTS PRICE LIST

version 11.2006



# Serie 55

## Leitungssätze / Circuits set / Ensemble des conduites



**Egro Coffee Systems AG**

5443 Niederrohrdorf  
Switzerland

**K11105\_03**

06.09.2005

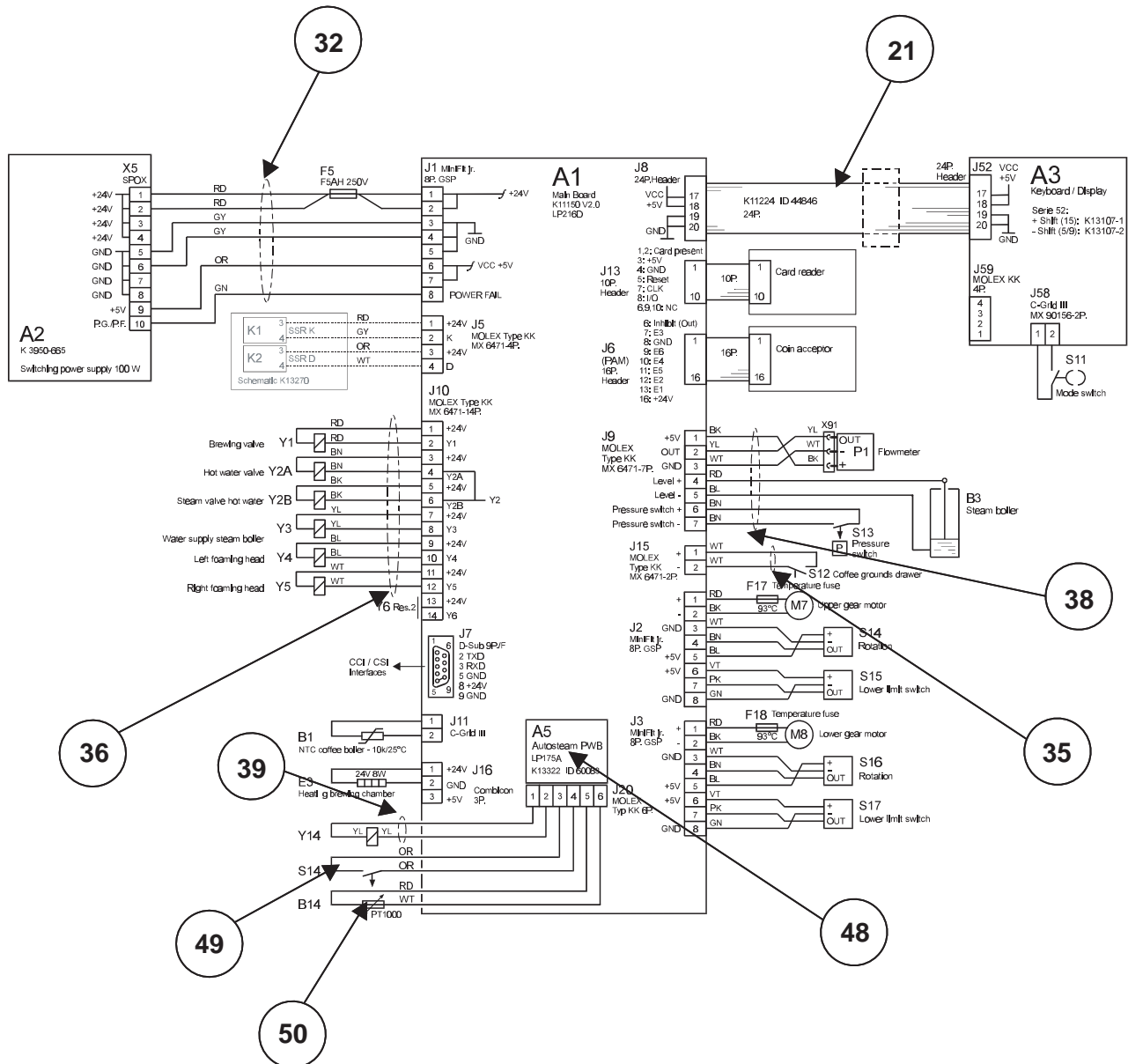
Copyright by Egro Coffee Systems AG, 5443 Niederrohrdorf. All rights reserved / Product Management @ Egro

Egro Parts Price List  
11.2006

K11105_03	1	53814	Wiring set, boiler heating
K11105_03	2	53811	Wiring set S1 - X4 - J4
K11105_03	4B	53812	Wiring set, boiler (USA)
K11105_03	5	44840	Wiring set J5 - K1 - K2
K11105_03	6	44848	Wiring set J12 - M1
K11105_03	11	59269	Supply cord 3 x AWG 10 (USA)
K11105_03	12	53952	Connecting terminal 3 P (USA)
K11105_03	13	58836	Temperature limiter 250 °C Twin (USA)
K11105_03	14	58834	Temperature limiter 144° C (USA)
K11105_03	15	58794	Wire BL 140
K11105_03	16	48057	Wire BL 140

# Serie 50 / 55

## Leitungssätze / Circuits set / Ensemble des conduites Auto steam shut of



**Egro Coffee Systems AG**

5443 Niederrohrdorf  
Switzerland

Copyright by Egro Coffee Systems AG, 5443 Niederrohrdorf . All rights reserved / Product Management @ Egro

K11106\_02

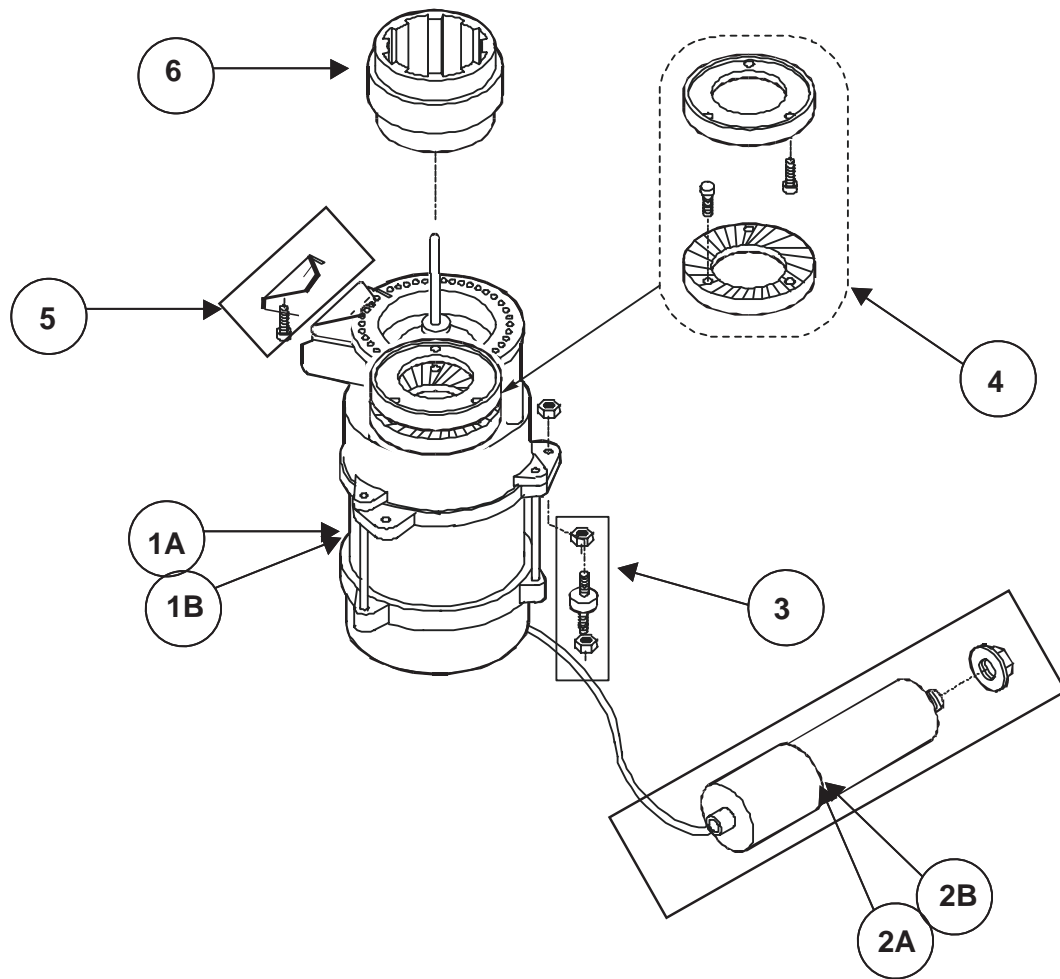
24.02.2006

Egro Parts Price List  
11.2006

K11106_02	21	44846	Flat cable, IO print, to keyboard
K11106_02	32	100020.05	Wiring set X5 - J1
K11106_02	35	45408	Wiring set
K11106_02	36	53809	Wiring set J10
K11106_02	38	59276	Cable harness X22 to milk pump
K11106_02	39	60122	Cable harness auto. steam
K11106_02	48	60083	Print auto steam shut of
K11106_02	49	60121	Press switch
K11106_02	50	60120	Steam sensor assy.

# Spirit / Serie 51 / 52 / 55

## Mühle / Grinder / Moulin



**Egro Coffee Systems AG**

5443 Niederrohrdorf  
Switzerland

K11120\_01

31.08.2005

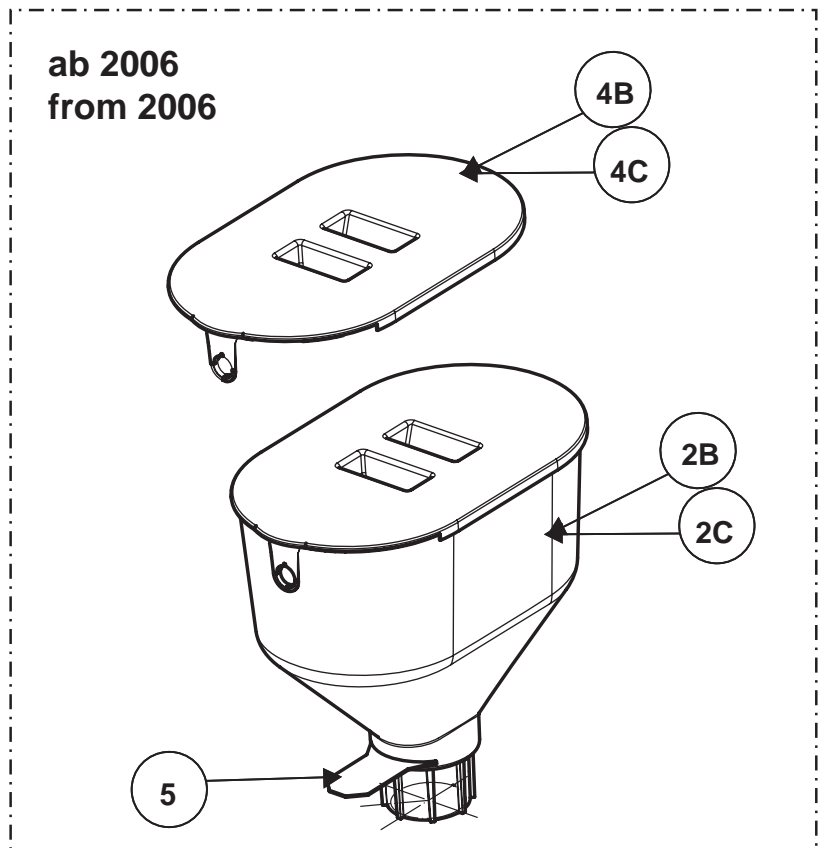
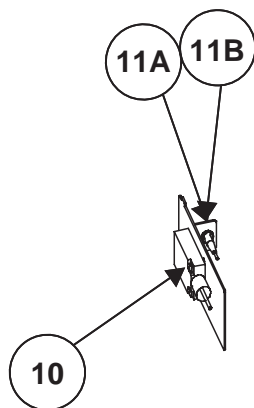
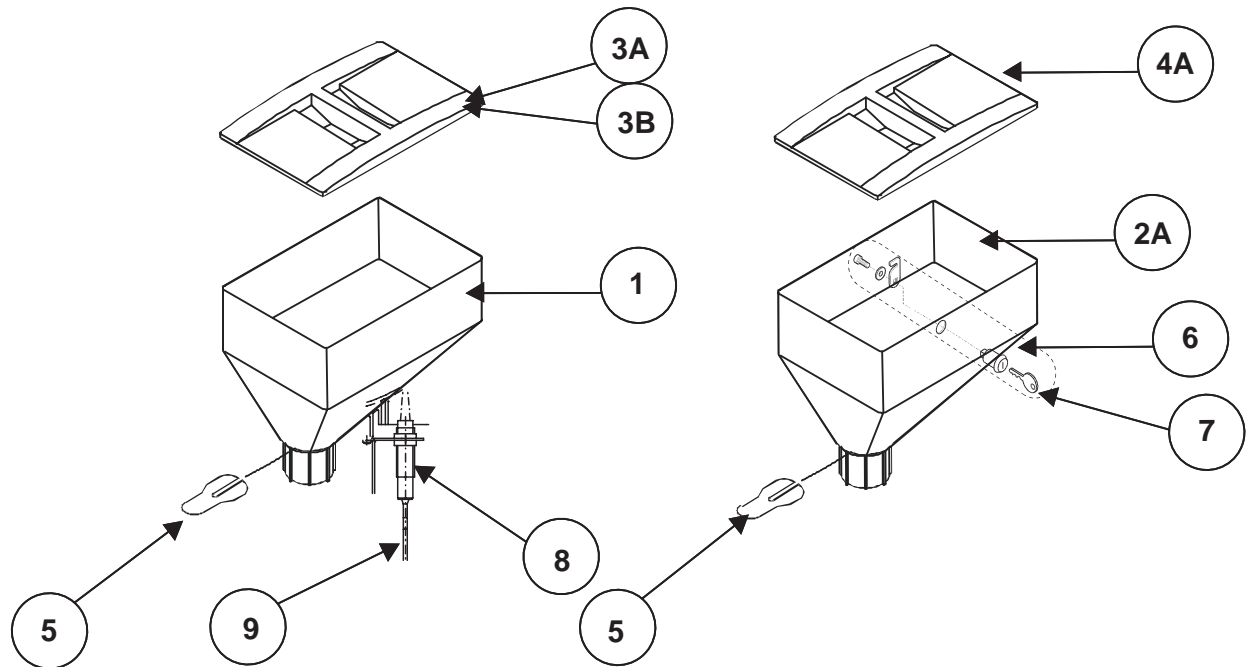
Copyright by Egro Coffee Systems AG, 5443 Niederrohrdorf. All rights reserved / Product Management @ Egro

Egro Parts Price List  
11.2006

K11120_01	1B	60119	Grinder assy. 220V - 50/60HZ - 1 PH (USA)
K11120_01	2B		Capacitor 12.5mF (USA)
K11120_01	3	54909	3 vibration absorber with nuts
K11120_01	4	54910	Grinder plates, pair Ø 54mm with screw
K11120_01	5	54911	Locking plate
K11120_01	6	45427	Seal (collar) / grinder

# Serie 50

## Bohnenbehälter / Bean hopper / Trémie à grains



**Egro Coffee Systems AG**

5443 Niederrohrdorf  
Switzerland

Copyright by Egro Coffee Systems AG, 5443 Niederrohrdorf. All rights reserved / Product Management @ Egro

K11211\_03

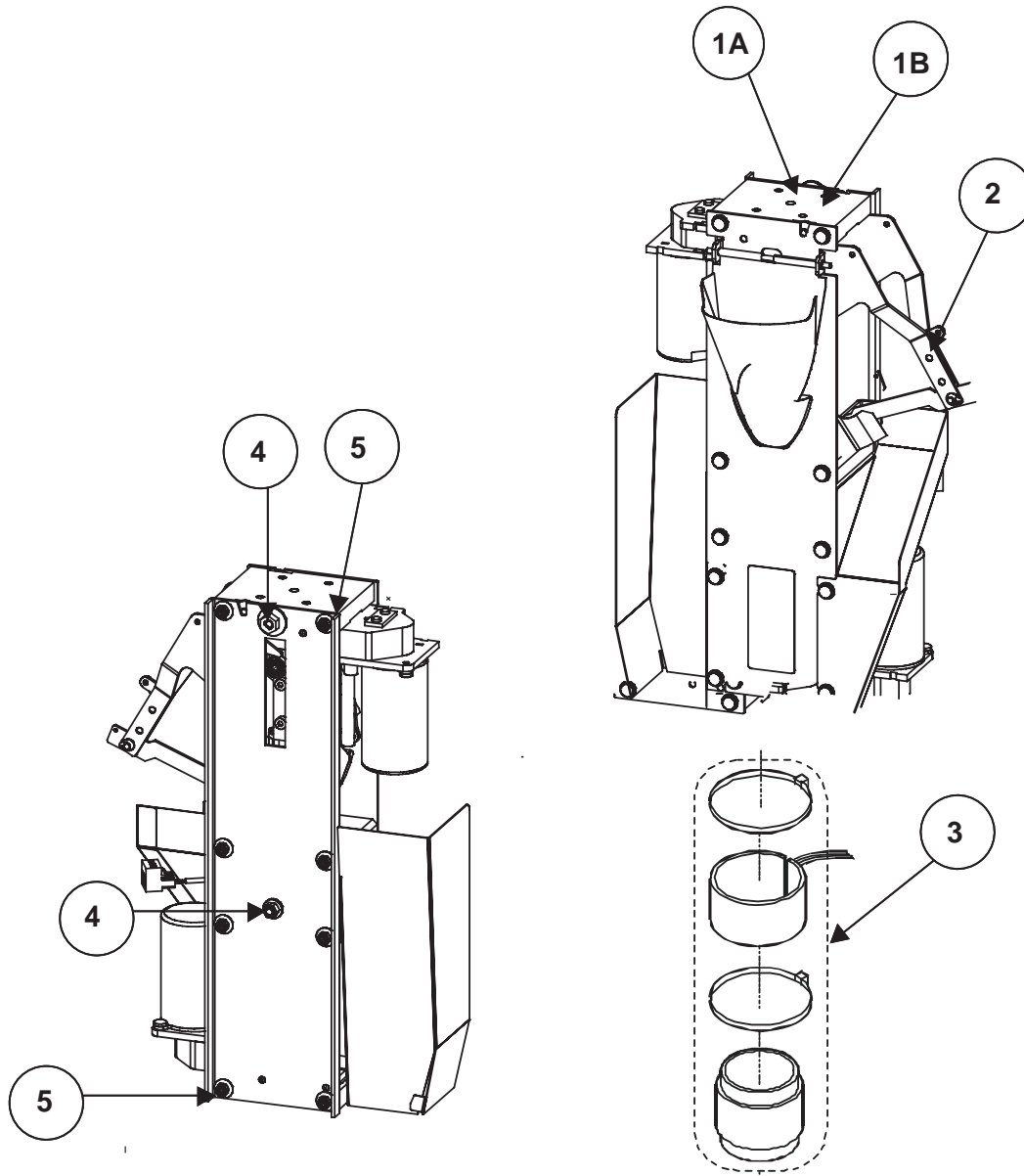
04.04.2006

Egro Parts Price List  
11.2006

K11211_03	1	45198	Bean hopper without lock
K11211_03	2A	48046	Bean hopper with lock
K11211_03	2B	100035.001	Bean hopper without lock
K11211_03	2C	100122.001	Bean hopper with lock
K11211_03	3A	45199	Cover for beans hopper without lock
K11211_03	3B	58510	Cover for beans hopper without lock (Stainless steel USA)
K11211_03	4A	48048	Cover for beans hopper with lock
K11211_03	4B	100036.001	Cover for beans hopper with lock
K11211_03	4C	100079.001	Cover for beans hopper with lock
K11211_03	5	47026	Slider, beans hopper
K11211_03	6	34567	Lock assy. Ø 18,0 mm Ronis
K11211_03	7	30626	Key to Ronis Lock
K11211_03	8	49538	Bean sensor Reflector switch
K11211_03	9	49852	Beans sensor cables
K11211_03	10	50117	Milk sensor with circuit set
K11211_03	11A	49510	Digital LCD Thermometer ° C
K11211_03	11B	40730	Battery to LCD Thermome. 1.5V LR44

# Serie 51 / 52 / 55

## Brühgruppe / Brew group / Groupe d'infusion



**Egro Coffee Systems AG**

5443 Niederrohrdorf  
Switzerland

K11800\_01

01.09.2005

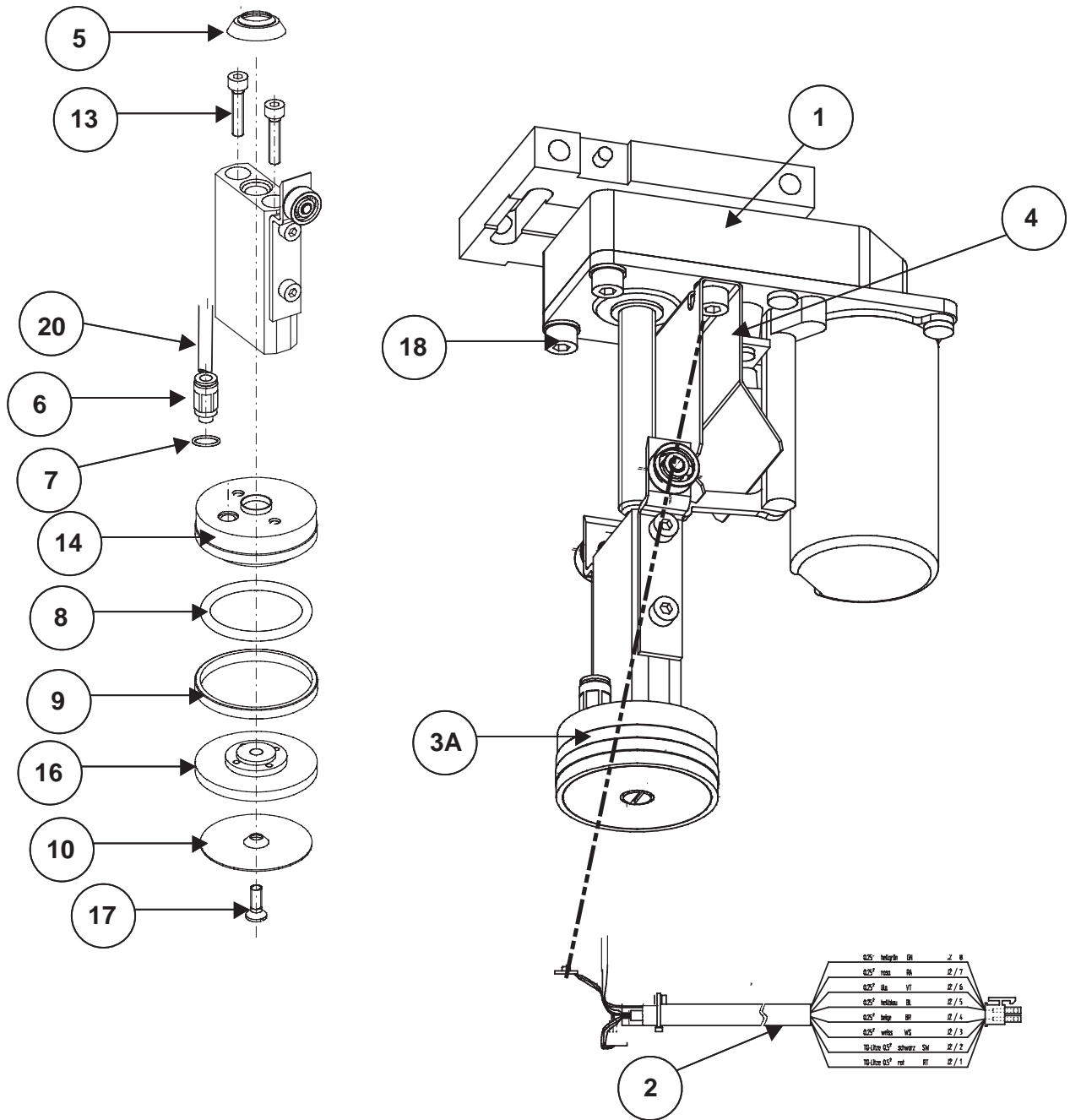
Copyright by Egro Coffee Systems AG, 5443 Niederrohrdorf. All rights reserved / Product Management @ Egro

Egro Parts Price List  
11.2006

K11800_01	1A	55391	Brewing group assy.
K11800_01	1B	57499	Brewing group assy. replacement
K11800_01	2	57101	Ejector assy.
K11800_01	3	54087	Brewing cylinder assy. With heater
K11800_01	4	01521	Keps nut M5
K11800_01	5	54940	Bolt with nut M4

# Serie 51 / 52 / 55

## Spindelmotor oben / Spindle motor abouve / Moteur à pivot haut



**Egro Coffee Systems AG**

5443 Niederrohrdorf  
Switzerland

K11851\_01

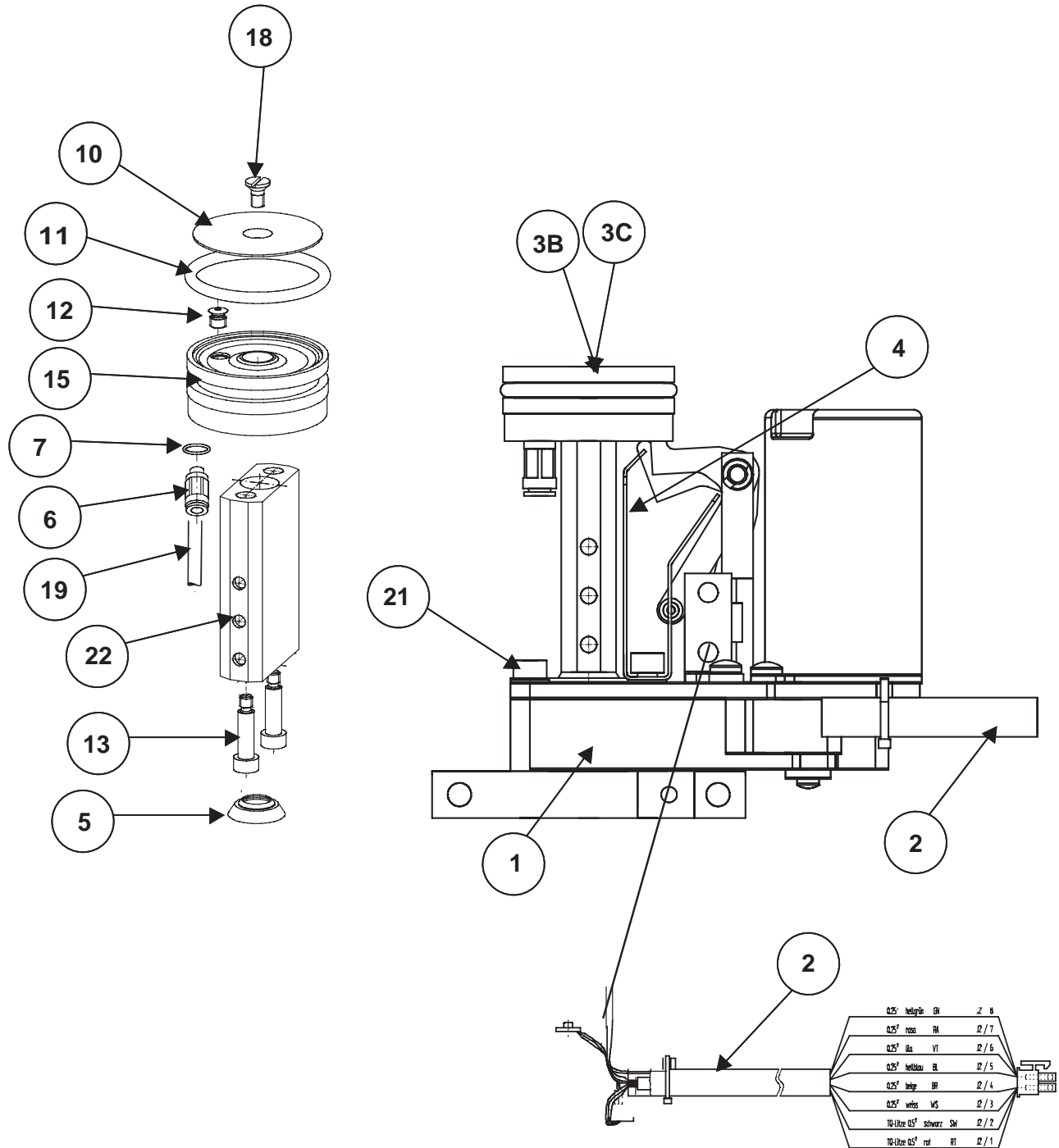
17.02.2006

Egro Parts Price List  
11.2006

K11851_01	1	55838	Spindle-Motor DC 24 V assy.
K11851_01	2	53602	Wiring set, spindle-motor with Hall sensor
K11851_01	3A	55400	Upper piston assy.
K11851_01	4	53473	Piston guide plate
K11851_01	5	47905	Ring gasket Ø 16.0 X 4.5mm
K11851_01	6	48819	Threaded male nipple Ø 4 x M5 Ms vni
K11851_01	7	60283	O-Ring seal Ø 4 x 1,2 mm
K11851_01	8	56906	O-Ring seal Ø 31,35 x 3,53 mm Silicone rouge
K11851_01	9	39064	Turcon seal Ø 32 x 44 x 4,2 mm
K11851_01	10	60116	Brewing sieve Ø 44 mm with screw
K11851_01	13	48548	Hex socket head screw M4 x 15 mm for peek piston
K11851_01	14	55392	Brewing piston Ø 44,0mm (PVDF)
K11851_01	16	38944	Filter carrier
K11851_01	17	01176	Countersunk screw M4 x 12 mm
K11851_01	18	01172	Countersunk screw M4 x 8 mm stainless
K11851_01	20	59295	Teflon hose FEP Ø 4 x 2 mm

# Serie 51 / 52 / 55

## Spindelmotor unten / Spindle motor below below / Moteur à pivot en bas



**Egro Coffee Systems AG**

5443 Niederrohrdorf  
Switzerland

**K11852\_01**

17.02.2006

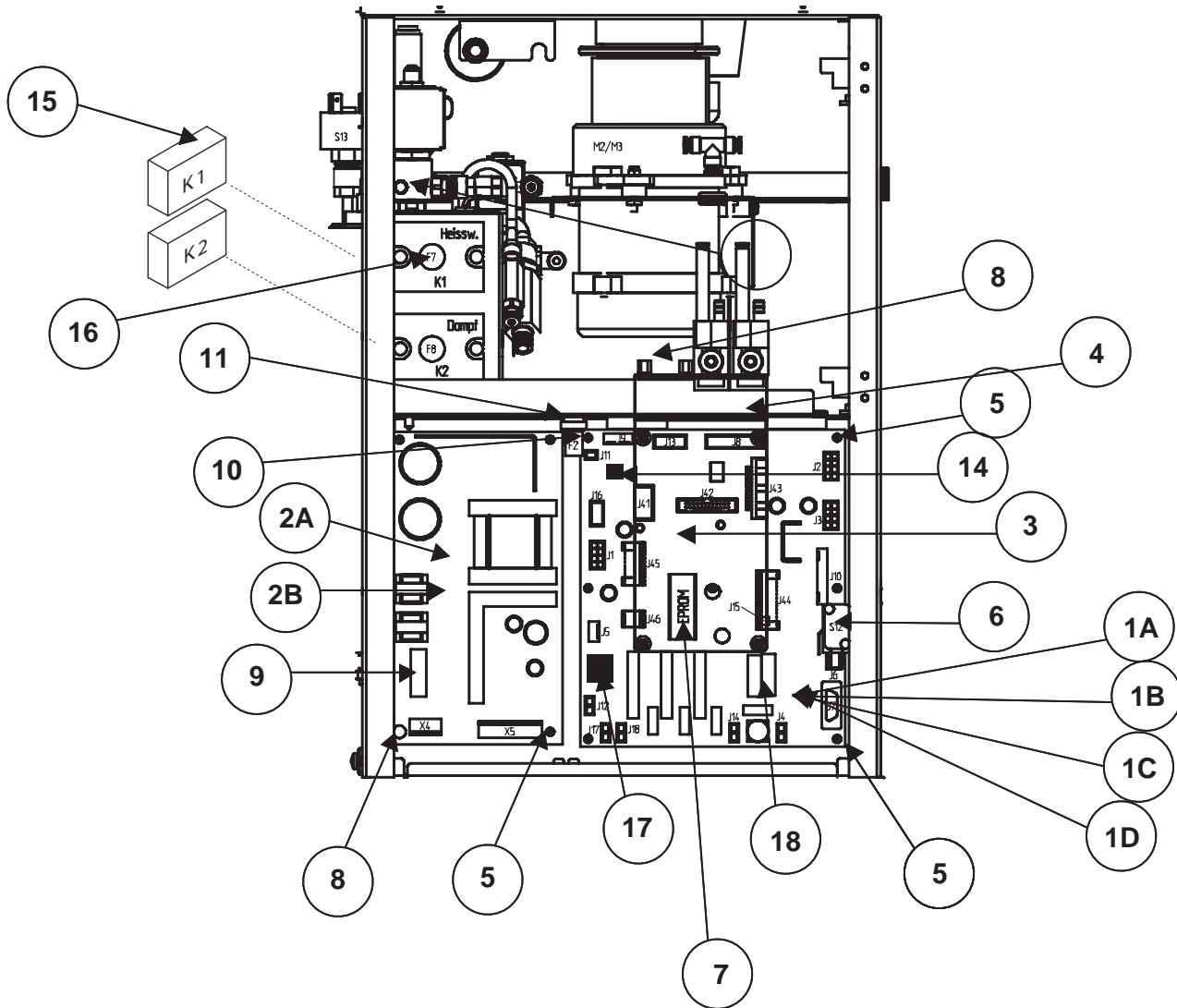
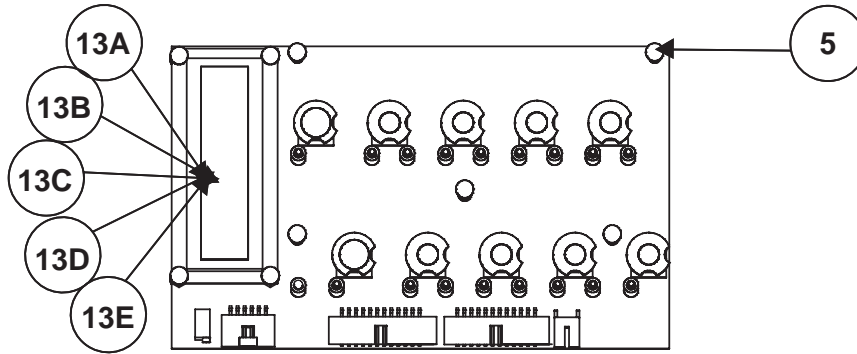
Copyright by Egro Coffee Systems AG, 5443 Niederrohrdorf. All rights reserved / Product Management @ Egro

Egro Parts Price List  
11.2006

K11852_01	1	55838	Spindle-Motor DC 24 V assy.
K11852_01	2	53602	Wiring set, spindle-motor with Hall sensor
K11852_01	3B	55389	Movable lower brewing piston Ø 44,0mm
K11852_01	3C	52938	Piston assy. bottom (steel) Ø 44 mm
K11852_01	4	53473	Piston guide plate
K11852_01	5	47905	Ring gasket Ø 16.0 X 4.5mm
K11852_01	6	48819	Threaded male nipple Ø 4 x M5 Ms vni
K11852_01	7	60283	O-Ring seal Ø 4 x 1,2 mm
K11852_01	10	60116	Brewing sieve Ø 44 mm with screw
K11852_01	11	29441	O-Ring seal Ø 36,09 x 3,53 mm Silicone rouge
K11852_01	12	48550	Flow limiter Ø 0.7mm
K11852_01	13	48548	Hex socket head screw M4 x 15 mm for peek piston
K11852_01	15	56077	Brewing piston Ø 44,0mm (peek)
K11852_01	18	01172	Countersunk screw M4 x 8 mm stainless
K11852_01	19	59295	Teflon hose FEP Ø 4 x 2 mm
K11852_01	21	00935	Hex socket head screw M5 x 30 mm
K11852_01	22	48526	Piston shaft

# Serie 50

## Elektrisch / Electrical / Electrique



**Egro Coffee Systems AG**

**K13000\_01**

5443 Niederrohrdorf  
Switzerland

16.11.2005

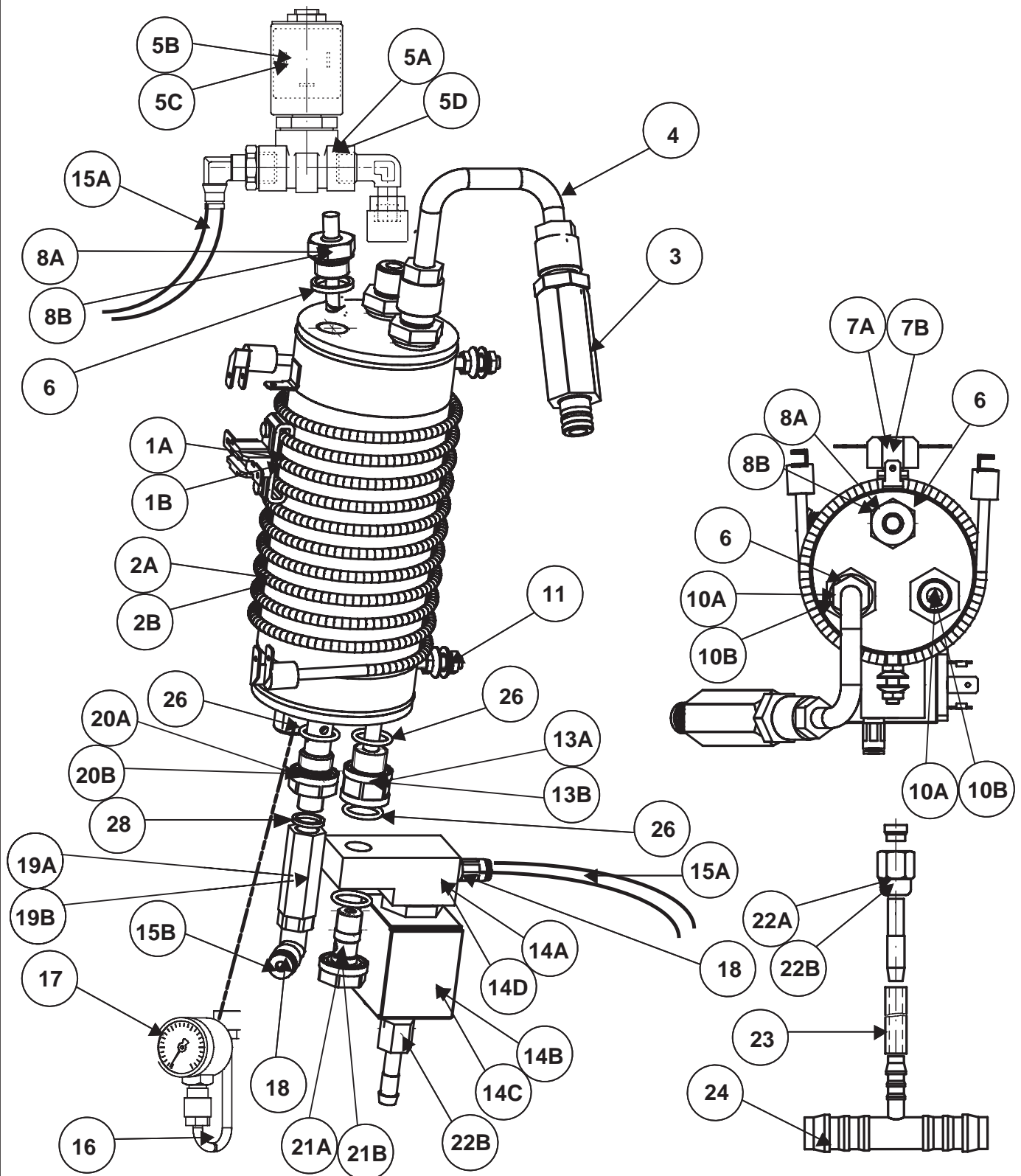
Copyright by Egro Coffee Systems AG, 5443 Niederrohrdorf. All rights reserved / Product Management @ Egro

Egro Parts Price List  
11.2006

K13000_01	1A	45200	Main board
K13000_01	1B	52762	Main board - replacement
K13000_01	1C	100022.001	Main board with auto steam
K13000_01	1D	100022.099	Main board with auto steam - replacement
K13000_01	2A	39642	Power supply 24V 4,5A 100W
K13000_01	2B	52734	Power supply 24V 4.5 A 100W - replacement
K13000_01	3	49058	I / O Print
K13000_01	4	54508	Supporting for I/O print
K13000_01	5	45484	Distance sleeve
K13000_01	6	39088	Micro switch
K13000_01	7	54001	Eprom
K13000_01	8	54945	Spacers assy. with screw
K13000_01	9	40782	Miniature fuse T5AH / 5 x 20mm 250V
K13000_01	10	46441	Miniature fuse holder F5
K13000_01	11	40783	Miniature fuse F5AH / 5 x 20mm 250V
K13000_01	13A	53824	Keyboard print (with Shift)
K13000_01	13B	54952	Keyboard - replacement (with Shift)
K13000_01	13C	54491	Keyboard print (without Shift)
K13000_01	13D	54953	Keyboard - replacement (without Shift)
K13000_01	13E	100047.001	Keyboard print from 12.05
K13000_01	14	55515	EEPROM
K13000_01	15	40451	Solid state relais 24-520 VAC / 25A
K13000_01	16	40598	Resistor compl.
K13000_01	17	60083	Print auto steam
K13000_01	18	58776	Quick -acting fuse F5AH / 250V Ø 6,3 x 31,6mm

# Serie 52 / 55

## Kaffeboiler / Coffee boiler / Chaudière à café



**Egro Coffee Systems AG**

K13019\_01

5443 Niederrohrdorf  
Switzerland

31.08.2005

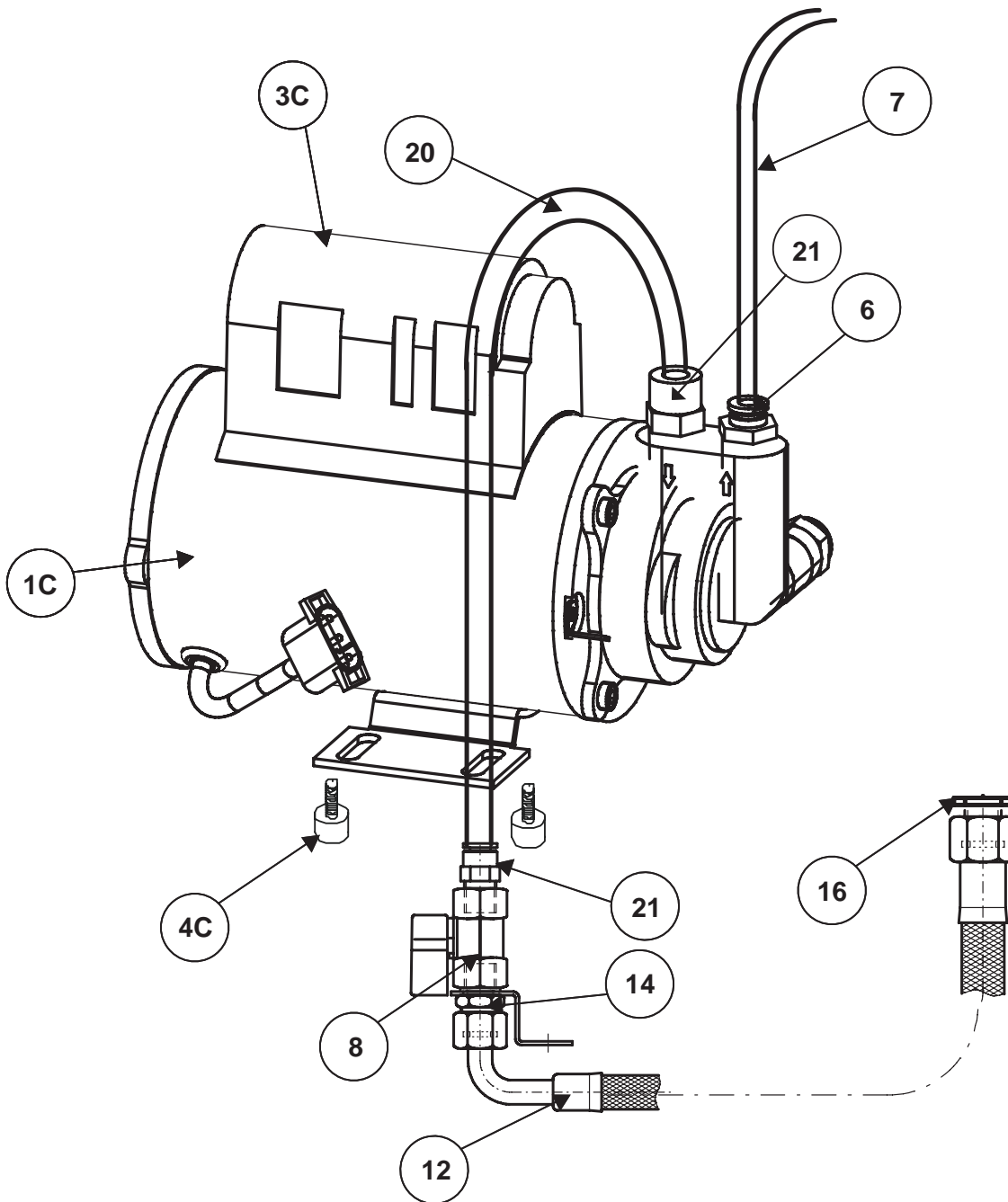
Copyright by Egro Coffee Systems AG, 5443 Niederrohrdorf. All rights reserved / Product Management @ Egro

Egro Parts Price List  
11.2006

K13019_01	1A	54238	Coffee boiler assy. 3 kW
K13019_01	1B	58542	Coffee boiler assy. 3 kW (USA)
K13019_01	2A	54429	Insulation with adhesive tape
K13019_01	2B	54581	Adhesive tape
K13019_01	3	55757	Pressure relief valve 11 bar
K13019_01	4	55783	Pressure relief valve with connection hose
K13019_01	5A	54430	Hot water valve assy. With socket
K13019_01	5B	54054	Operator kit 2/2 ways (ACL)
K13019_01	5C	54053	Plunger 2/2 way (ACL)
K13019_01	5D	58539	Hot water valve assy. With socket (USA)
K13019_01	6	44464	Copper gasket Ø 16,5 X 13,2 X 1,5 mm
K13019_01	7A	54915	Temperature limiter 250 °C
K13019_01	7B	58836	Temperature limiter 250 °C Twin (USA)
K13019_01	8A	57958	Temperature sensor Retrofit kit
K13019_01	8B	57957	Temperature (USA)
K13019_01	10A	54919	Double nipple G 1/4" with washer
K13019_01	10B	11313	Double nipple G 1/4" (USA)
K13019_01	11	01521	Keps nut M5
K13019_01	13A	54920	Connection to boiler withdrawal with O-ring
K13019_01	13B	54107	Connection to boiler withdrawal (USA)
K13019_01	14A	53785	Brewing valve 3/2 ways assy.
K13019_01	14B	54056	Operator kit 3/2 ways (ACL)
K13019_01	14C	54055	Plunger 3/2 way (ACL)
K13019_01	14D	58485	Brewing valve 3/2 ways assy. (USA)
K13019_01	15A	59295	Teflon hose FEP Ø 4 x 2 mm
K13019_01	15B	59294	Teflon hose FEP Ø 4,0 x 2,5 mm
K13019_01	16	54095	Pressure gauge assy. With connection tube
K13019_01	17	54921	Pressure gauge
K13019_01	18	53753	Threaded elbow, male Ø 4 mm x G1/8"
K13019_01	19A	54067	Check valve G 1/4"
K13019_01	19B	58031	Retrofit kit Non-return valve G 1/8"
K13019_01	20A	54236	Adapter nipple Ø G1/4" G 1/8" with O-Ring
K13019_01	20B	57567	Adapter nipple Ø G1/4" G 1/8" (USA)
K13019_01	21A	54923	Hollow screw with O-ring
K13019_01	21B	54104	Hollow screw (USA)
K13019_01	22A	54141	Retrofit kit Ventilation Brewing valve
K13019_01	22B	57074	Hose connection assy.
K13019_01	23	04474	Silicon hose Ø 8 x 5 mm
K13019_01	24	56479	Reducing T connector 15 - 6 - 15
K13019_01	25	44831	Temperature sensor
K13019_01	26	56904	O-Ring seal Ø 12,42 x 1,78 mm
K13019_01	27	11313	Double nipple G 1/4"
K13019_01	28	09917	Copper gasket Ø 12,5 / 9,8 X 1,2 mm

# Serie 55 (USA)

Wasserpumpe mit Motor / Waterpump with engine /  
Pompe à eau avec moteur



**Egro Coffee Systems AG**

**K13055\_02**

5443 Niederrohrdorf  
Switzerland

05.05.2006

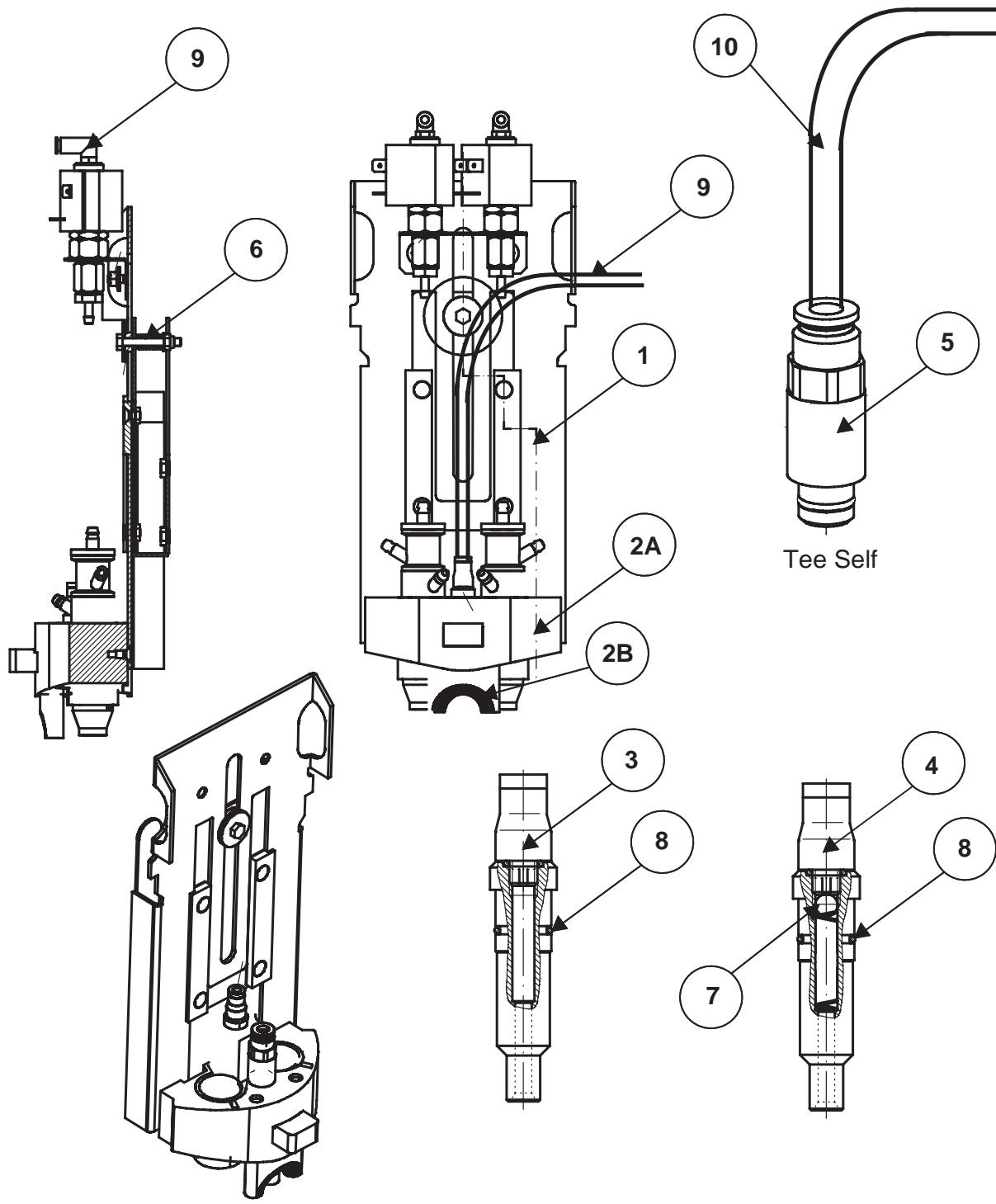
Copyright by Egro Coffee Systems AG, 5443 Niederrohrdorf. All rights reserved / Product Management @ Egro

Egro Parts Price List  
11.2006

K13055_02	1C	58506	Pump motor assy. 230 V 50 / 60 Hz (USA)
K13055_02	4C	54912	4 vibration absorber Ø6 X 8mm and nuts M6
K13055_02	6	54348	Threaded male nipple Ø 6 - G 3/8
K13055_02	7	59292	Teflon hose FEP Ø 6 x 4 mm
K13055_02	8	48560	Main water tap
K13055_02	12	45384	Reinforced hose G 3/8" X 1500mm
K13055_02	14	19974	Copper gasket Ø 14 X 8,5 X 2 mm
K13055_02	16	19974	Copper gasket Ø 14 X 8,5 X 2 mm
K13055_02	20	58505	Reinforced hose G 3/8"
K13055_02	21	41493	Threaded male nipple Ø R 3/8" x G 1/4"

# Serie 51 / 52 / 55

## Kaffeeauslauf / Coffee outlet / Sortie Café



**Egro Coffee Systems AG**

5443 Niederrohrdorf  
Switzerland

Copyright by Egro Coffee Systems AG, 5443 Niederrohrdorf. All rights reserved / Product Management @ Egro

K13100\_04

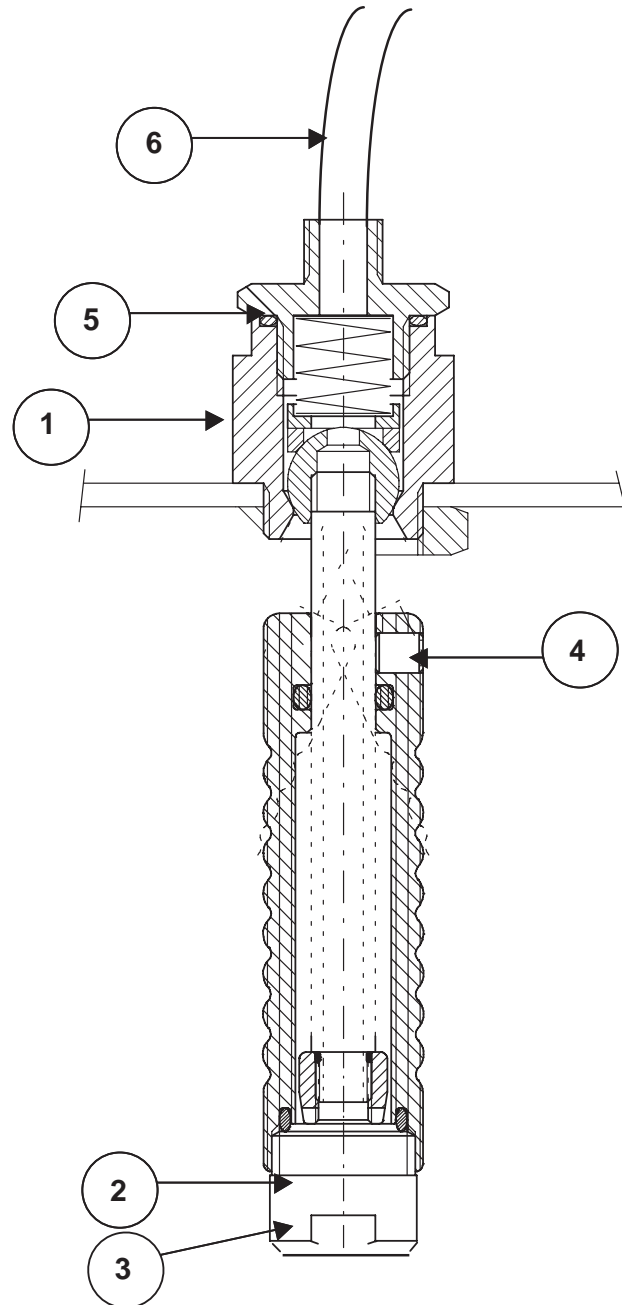
1.03.2006

Egro Parts Price List  
11.2006

K13100_04	1	53938	Coffee spout assy. 5210
K13100_04	2A	47078	Coffee spout top
K13100_04	2B	47079	Coffee spout bottom
K13100_04	3	50096	Coffee spout without check valve
K13100_04	4	47934	Pressure valve
K13100_04	5	54647	Hot water spout by self service
K13100_04	6	54944	Screw with spring assy.
K13100_04	7	47960	Glass-ball, check valve 4.0mm
K13100_04	8	02207	O-Ring seal Ø 8 x 1 mm
K13100_04	9	54748	Threaded elbow, male Ø 4 x M5
K13100_04	10	59295	Teflon hose FEP Ø 4 x 2 mm

# Serie 52 / 55

## Teeauslauf / Hot water outlet / Sortie eau chaude



**Egro Coffee Systems AG**

5443 Niederrohrdorf  
Switzerland

K13105\_02

02.09.2005

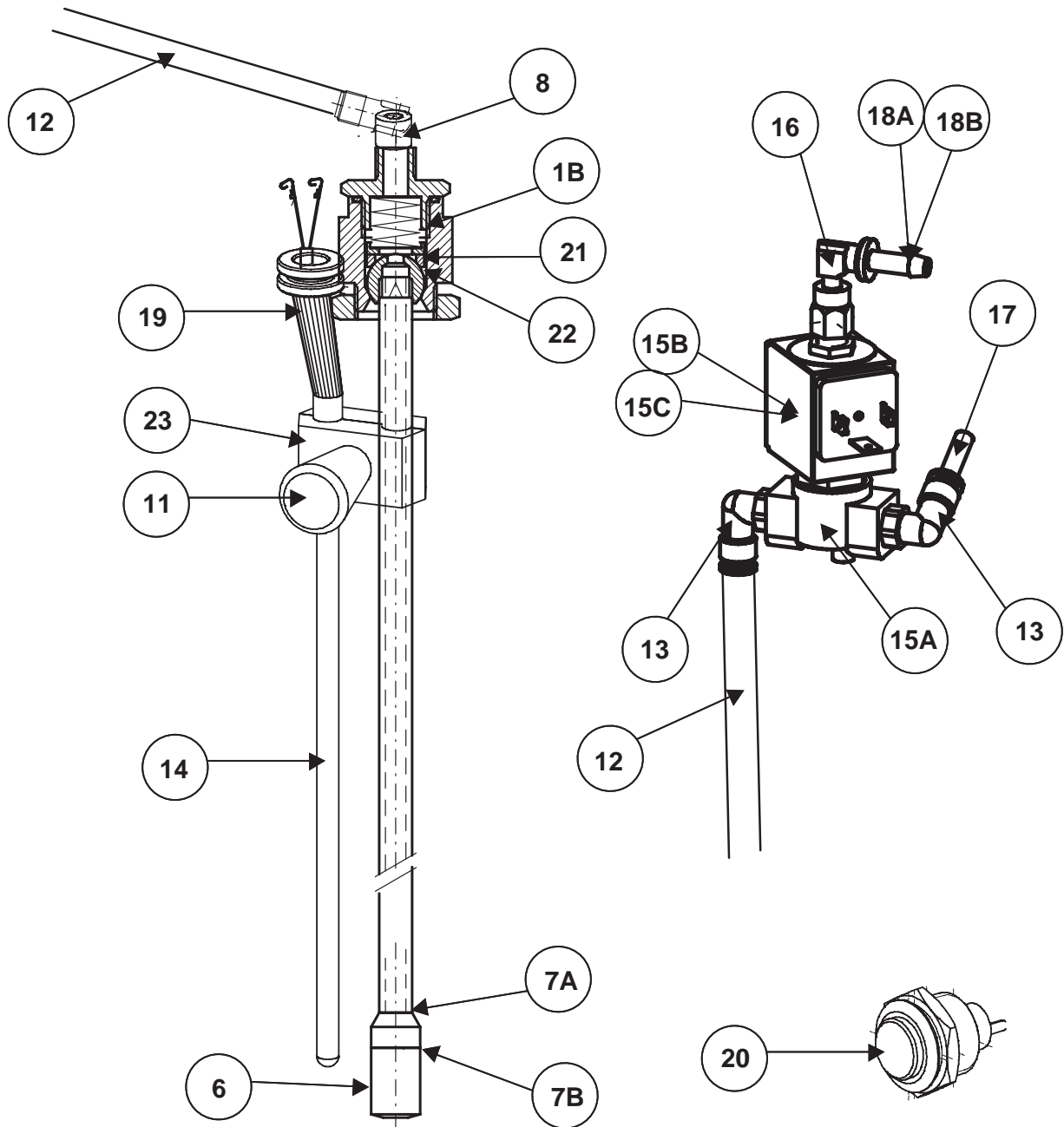
Copyright by Egro Coffee Systems AG, 5443 Niederrohrdorf. All rights reserved / Product Management @ Egro

Egro Parts Price List  
11.2006

K13105_02	1	53966	Hot water spout assy.
K13105_02	2	05298	Inlet part to Neoperl mixing nozzle G 3/8"
K13105_02	3	05297	Nozzle M18 X 1.0mm
K13105_02	4	01728	Straight pin screw M5 x 6mm
K13105_02	5	56905	O-Ring seal Ø 15,6 x 1,78 mm black
K13105_02	6	54452	Connection house assy.

# Serie 52 / 55

## Dampfauslauf / Steam outlet / Sortie vapeur Auto shut off



**Egro Coffee Systems AG**

5443 Niederrohrdorf  
Switzerland

Copyright by Egro Coffee Systems AG, 5443 Niederrohrdorf. All rights reserved / Product Management @ Egro

K13106\_02

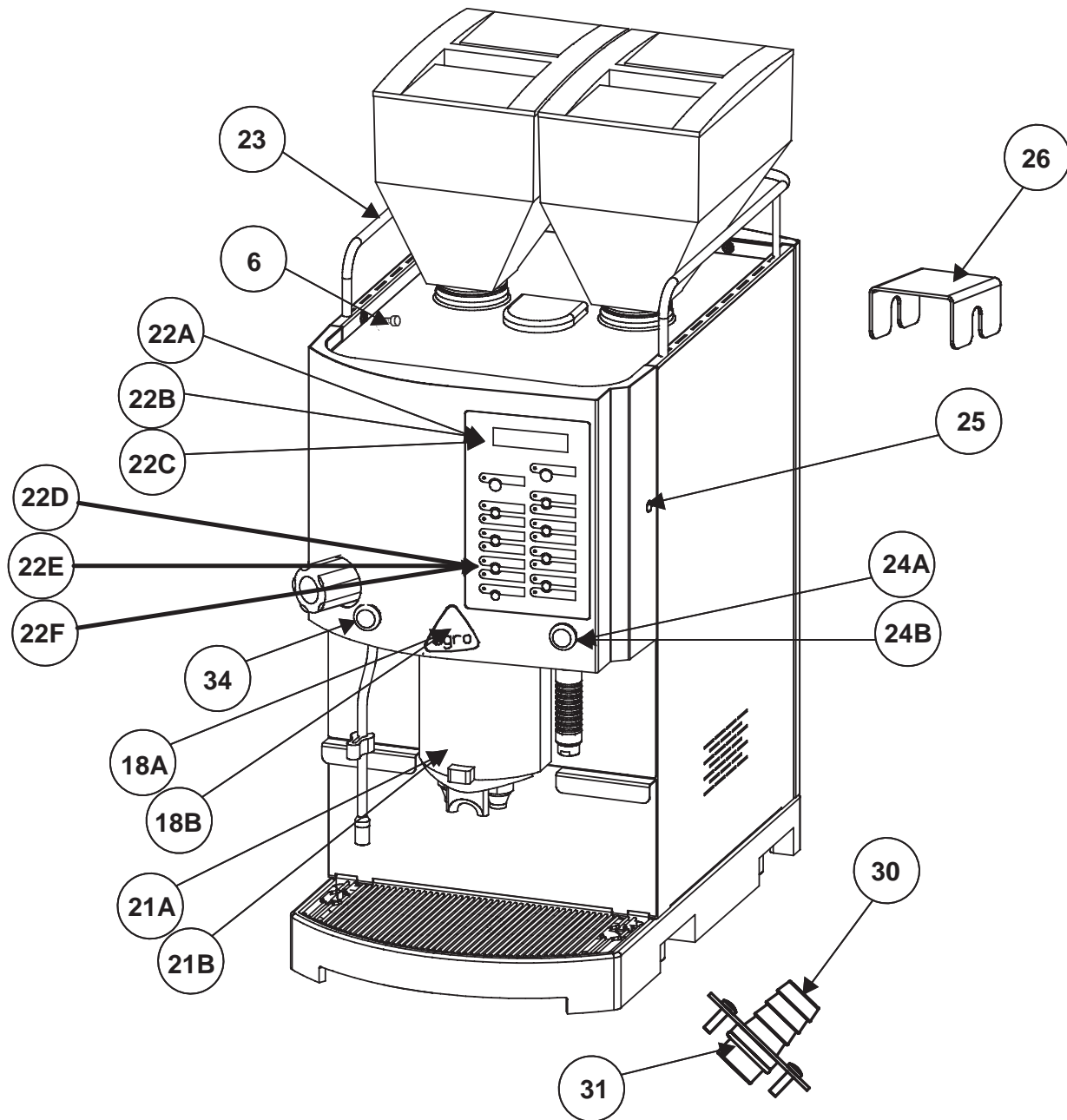
05.05.2006

Egro Parts Price List  
11.2006

K13106_02	1B	58551	Steam spout assy.
K13106_02	6	54939	Steam nozzle assy.
K13106_02	7A	56909	O-Ring seal Ø 5 x 1mm
K13106_02	7B	02207	O-Ring seal Ø 8 x 1 mm
K13106_02	8	56905	O-Ring seal Ø 15,6 x 1,78 mm black
K13106_02	12	58552	Connection house assy.
K13106_02	13	53754	Threaded elbow, male Ø 6 mm x G1/8"
K13106_02	14	60120	Steam sensor assy.
K13106_02	15A	60088	3 way solenoid (valve) (ACL) 10 W / 24 V / 2,0 mm
K13106_02	15B	54056	Operator kit 3/2 ways (ACL)
K13106_02	15C	54055	Plunger 3/2 way (ACL)
K13106_02	16	57912	Threaded elbow, male Ø 6 mm x G1/8"
K13106_02	17	59292	Teflon hose FEP Ø 6 x 4 mm
K13106_02	18A	04474	Silicon hose Ø 8 x 5 mm (5511)
K13106_02	18B	04474	Silicon hose Ø 8 x 5 mm (5513)
K13106_02	19	59036	Protection
K13106_02	20	60121	Press switch
K13106_02	21	02569	Teflon gasget
K13106_02	22	12369	O-Ring seal Ø 14 x 3mm
K13106_02	23	58551	Steam spout assy. (Steam shut of)

# Serie 50

## Gehäuse / Housing / Boîte



**Egro Coffee Systems AG**

5443 Niederrohrdorf  
Switzerland

K13120\_01

31.03.2006

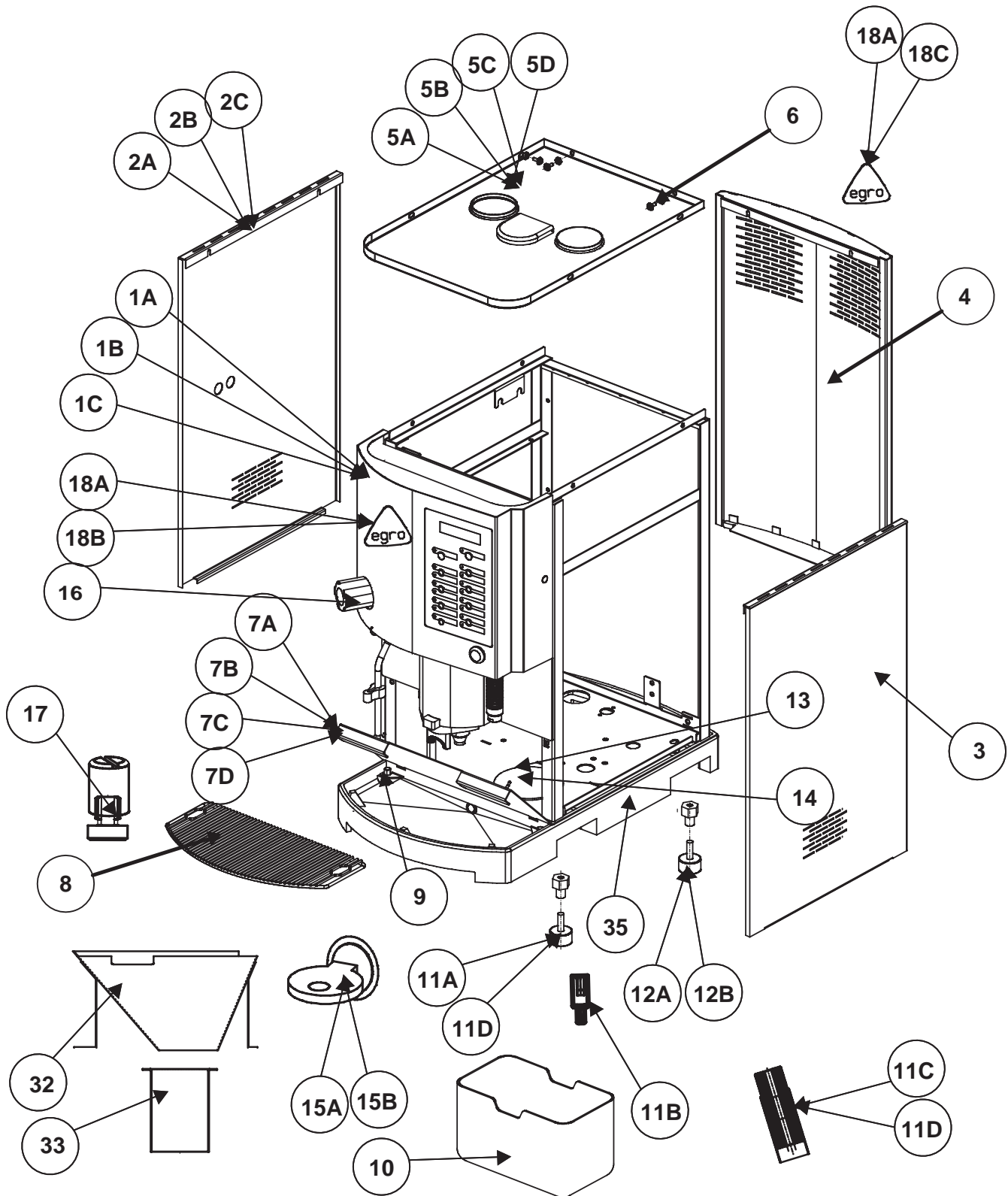
Copyright by Egro Coffee Systems AG, 5443 Niederrohrdorf. All rights reserved / Product Management @ Egro

Egro Parts Price List  
11.2006

K13120_01	6	46844	Screw M 4x8mm
K13120_01	18A	54539	Egro Logo Bronze
K13120_01	18B	100052.185	Egro Logo red (Front)
K13120_01	18C	100052.587	Egro Logo red (Back)
K13120_01	21A	47041	Cover to coffee spout
K13120_01	21B	55313	Cover to coffee spout
K13120_01	22A	58363	Keyboard foil, 15 products
K13120_01	22B	58364	Keyboard foil, 9 products
K13120_01	22C	58365	Keyboard foil, 5 products
K13120_01	22D	100053.015	Keyboard foil, 15 products (from 06)
K13120_01	22E	100053.009	Keyboard foil, 9 products (from 06)
K13120_01	22F	100053.005	Keyboard foil, 5 products (from 06)
K13120_01	23	48691	Cups border
K13120_01	24A	39817	Key to lock switch
K13120_01	24B	40613	Key lock switch assy.
K13120_01	25	01185	Recessed countersunk head screw M5 x 10
K13120_01	26	56843	Connecting metal
K13120_01	30	56544	Service kit to drain connection
K13120_01	31	40404	O-ring seal Ø 15 x 2 mm
K13120_01	34	60121	Press switch

# Serie 50

## Gehäuse / Housing / Boîte



**Egro Coffee Systems AG**

**K13120\_02**

5443 Niederrohrdorf  
Switzerland

31.03.2006

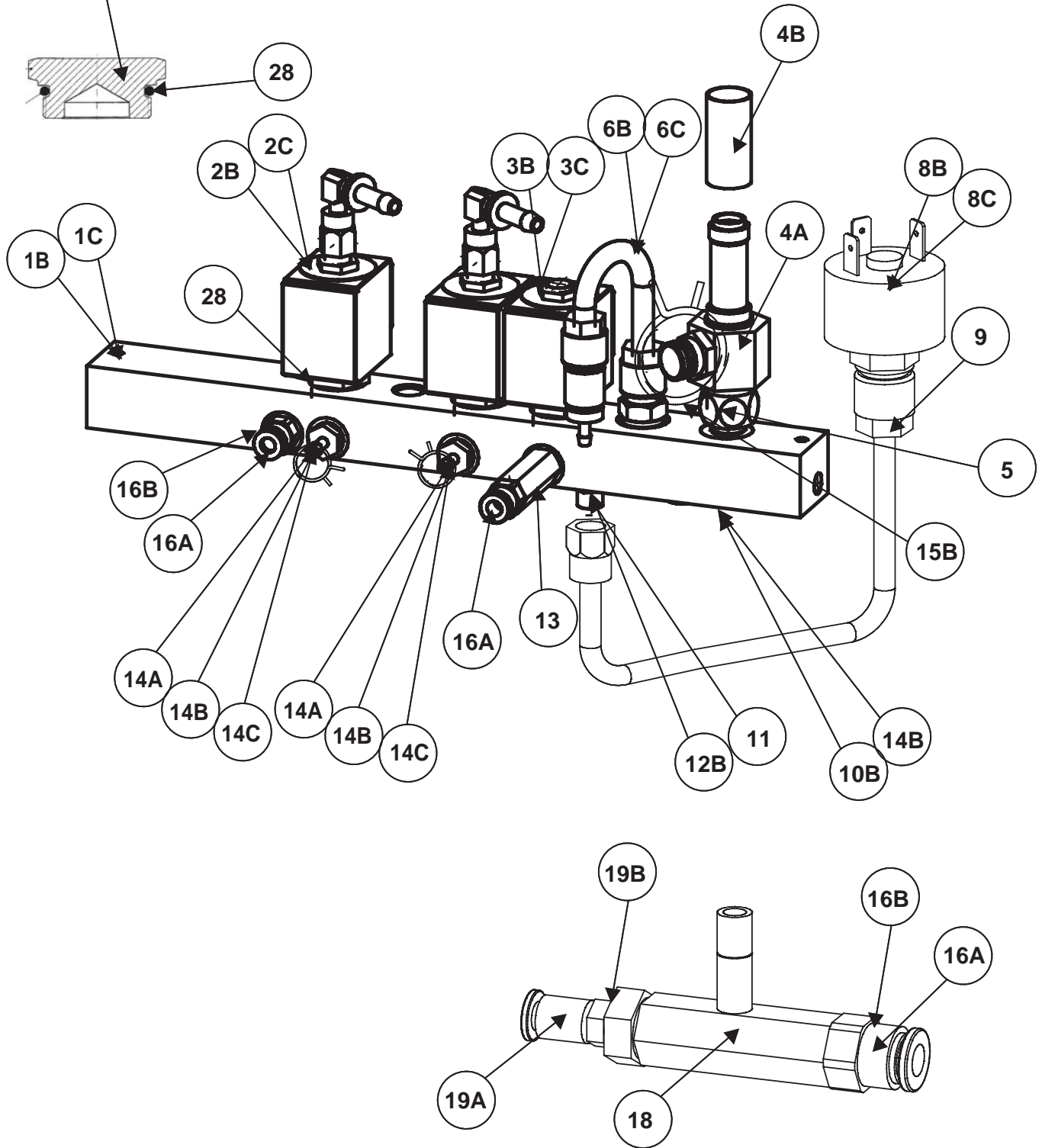
Copyright by Egro Coffee Systems AG, 5443 Niederrohrdorf. All rights reserved / Product Management @ Egro

Egro Parts Price List  
11.2006

K13120_02	1A	54179	Front housing with steam
K13120_02	1B	54411	Front housing without steam
K13120_02	1C	58666	Front housing with steam (USA)
K13120_02	2A	43698	Side panel left + right without hole
K13120_02	2B	50054	Boring direction
K13120_02	2C	49090	Boring direction
K13120_02	3	43698	Side panel left + right without hole
K13120_02	4	53804	Rear panel
K13120_02	5A	46201	Cup tray, heated 1 grinder
K13120_02	5B	46698	Cup tray, heated 2 grinders
K13120_02	5C	44671	Cup tray, not heated 1 grinder
K13120_02	5D	46289	Cup tray, not heated 2 grinders
K13120_02	6	46844	Screw M 4x8mm
K13120_02	7A	53955	Front drawer without lock
K13120_02	7B	53957	Front drawer with lock
K13120_02	7C	58519	Front drawer without lock (USA)
K13120_02	7D	58827	Front drawer with lock (USA)
K13120_02	8	54448	Drip grid for drain tray, middle assy.
K13120_02	9	54649	Spacer pin to Drip grid M 8 x 15 mm
K13120_02	10	46120	Grounds drawer assy.
K13120_02	11A	04014	Rubber foot, front
K13120_02	11B	49784	Spacer M 8 x 25 mm
K13120_02	11C	59234	High leg M 8 x 100 mm (USA)
K13120_02	11D	59233	Spacer with Rubber foot back M 8 x 100 mm
K13120_02	12A	04015	Sliding foot, aft
K13120_02	12B	59232	Sliding foot, aft (USA)
K13120_02	13	53942	Cap cover to dregs sheet
K13120_02	14	46865	Dregs shed assy. Retrofit kit
K13120_02	15A	48532	Lock assy. to drawer
K13120_02	15B	30626	Key to Ronis Lock
K13120_02	16	03747	Cover (Machine without tea or steam)
K13120_02	17	55557	Cup guide set
K13120_02	18A	54539	Egro Logo Bronze
K13120_02	18B	100052.185	Egro Logo red (Front)
K13120_02	18C	100052.587	Egro Logo red (Back)
K13120_02	32	46344	Funnel to dregs shed
K13120_02	33	46350	Tube to dregs shed
K13120_02	35	58707	Bottom plate

# Serie 55

## Ventilblock Dampf / Steam valve block / Bloc des vannes à vapeur



**Egro Coffee Systems AG**

5443 Niederrohrdorf  
Switzerland

Copyright by Egro Coffee Systems AG, 5443 Niederrohrdorf. All rights reserved / Product Management @ Egro

K13125\_02

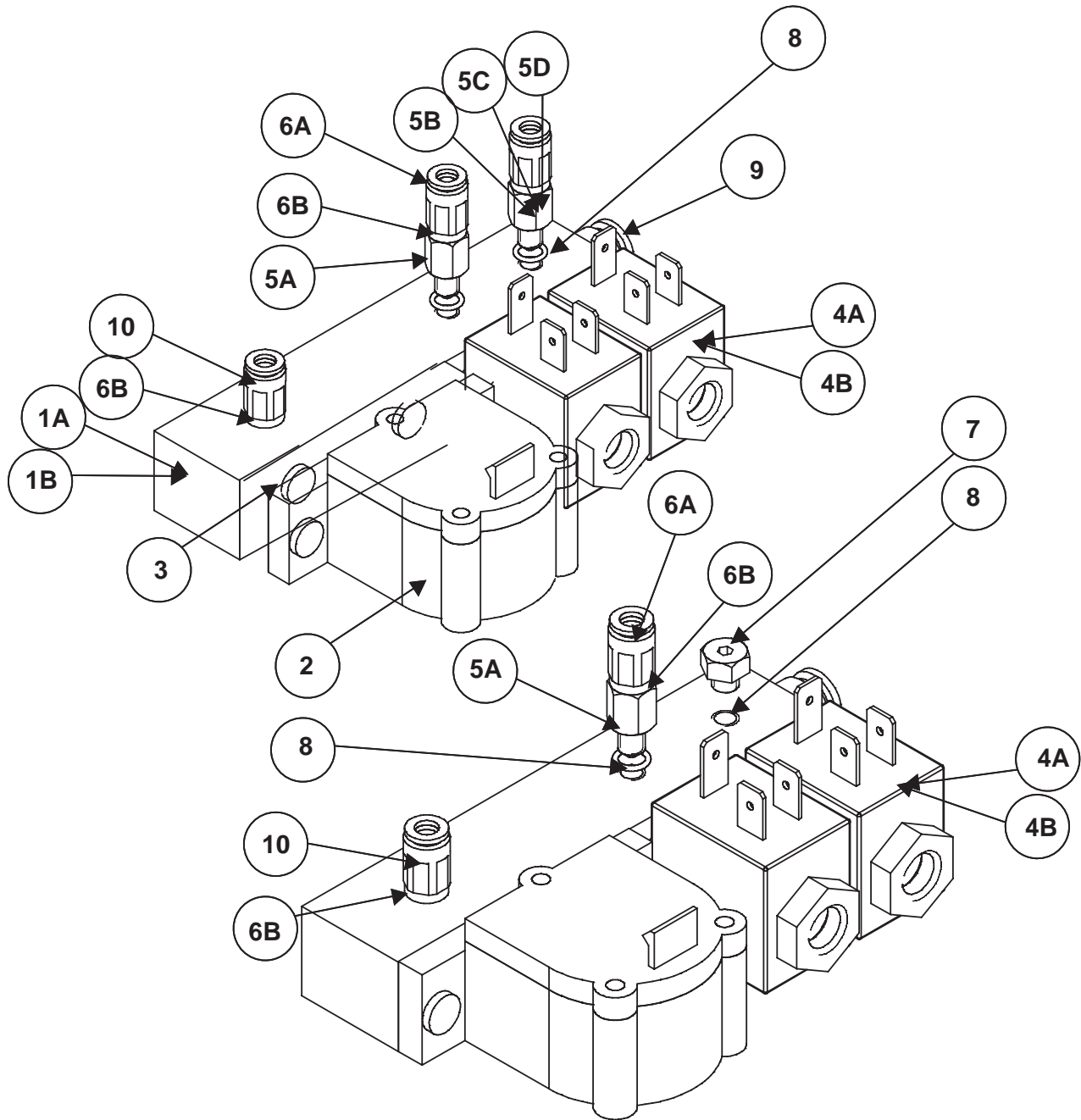
20.01.2006

Egro Parts Price List  
11.2006

K13125_02	1B	58538	Steam valve block assy. 5511 (USA)
K13125_02	1C		Steam valve block assy. 5513 (USA)
K13125_02	2B	56233	Plunger 3/2 way assy. EPDM 160° weak spring
K13125_02	3B	56439	Plunger 2/2 way assy. EPDM 160°
K13125_02	4A	54926	Relief valve assy. G 3/8"
K13125_02	4B	45682	Splash guard-hose Ø 16,0 x 45,0 mm
K13125_02	5	54927	Threaded nipple with union nut and washer
K13125_02	6B	44464	Copper gasket Ø 16,5 X 13,2 X 1,5 mm
K13125_02	6C	60262	Vacuum valve assy. (USA)
K13125_02	8B	58471	Pressure switch 1,1 - 1,3bar
K13125_02	8C	60072	Pressure switch 1,6 - 1,9bar
K13125_02	9	54103	Pipe elbow assy. with pressure switch
K13125_02	10B	54560	Locking cap G 1/8" (USA)
K13125_02	11	54066	Copper gasket Ø 13.4 / 10.2 X 1mm
K13125_02	12B	54064	Threaded male nipple (USA)
K13125_02	13	54119	Intermediary adapter assy.
K13125_02	14A	54938	Threaded male nipple G 1/8" with washer
K13125_02	14B	09917	Copper gasket Ø 12,5 / 9,8 X 1,2 mm
K13125_02	14C	49966	Threaded male nipple G 1/8" (USA)
K13125_02	15B	56950	Wire hose clip Ø 17,3 mm
K13125_02	16A	53752	Threaded male nipple Ø 6 - G 1/8
K13125_02	16B	60284	O-Ring seal 8 x 1,5 mm
K13125_02	18	54115	Injection case assy.
K13125_02	19A	48819	Threaded male nipple Ø 4 x M5 Ms vni
K13125_02	19B	60283	O-Ring seal Ø 4 x 1,2 mm
K13125_02	27	60160	Catch plug
K13125_02	28	59134	O-Ring seal Ø 17,17 x 1,78 mm

# Serie 52 / 55

## Kaltwasser Ventilblock / Cold water valve block Bloc des vannes à eau froide



**Egro Coffee Systems AG**

5443 Niederrohrdorf  
Switzerland

K13130\_01

20.09.2005

Copyright by Egro Coffee Systems AG, 5443 Niederrohrdorf. All rights reserved / Product Management @ Egro

Egro Parts Price List  
11.2006

K13130_01	1A	53561	Cold water valve block assy.
K13130_01	1B	58490	Cold water valve block assy. (USA)
K13130_01	2	53558	Flowmeter with O-rings
K13130_01	3	55294	O-Ring seal set
K13130_01	4A	54058	Operator kit 2/2 ways (ACL)
K13130_01	4B	54057	Plunger 2/2 way (ACL)
K13130_01	5A	54100	Flow limiter Ø 1,1 mm
K13130_01	5B	55973	Flow limiter Ø 0,9 mm
K13130_01	5C	55496	Flow limiter Ø 0,7 mm
K13130_01	5D	54099	Flow limiter Ø 0,5 mm
K13130_01	6A	48819	Threaded male nipple Ø 4 x M5 Ms vni
K13130_01	6B	60283	O-Ring seal Ø 4 x 1,2 mm
K13130_01	7	54559	Threaded stopper M5 with O-ring
K13130_01	8	56909	O-Ring seal Ø 5 x 1mm
K13130_01	9	53752	Threaded male nipple Ø 6 - G 1/8
K13130_01	10	55941	Threaded male nipple Ø 4 x M5



Egro Parts Price List  
11.2006

K13144_02	1A	04468	Hose Ø 20,0 x 14,0 mm PVC
K13144_02	1B	59215	Hose Ø 20,0 x 14,0 mm PVC
K13144_02	2	04473	Silicon hose Ø 14 x 9 mm
K13144_02	3	45714	Reducing T connector 12-6-12
K13144_02	4	04473	Silicon hose Ø 14 x 9 mm
K13144_02	5	35233	Silicon hose Ø 8 x 5 mm
K13144_02	6	04473	Silicon hose Ø 14 x 9 mm
K13144_02	7	46806	Y unit 12mm
K13144_02	8	04473	Silicon hose Ø 14 x 9 mm
K13144_02	9	49643	T Hose link Ø 6 mm
K13144_02	10	35233	Silicon hose Ø 8 x 5 mm
K13144_02	11	35233	Silicon hose Ø 8 x 5 mm
K13144_02	12	35233	Silicon hose Ø 8 x 5 mm
K13144_02	13	56950	Wire hose clip Ø 17,3 mm
K13144_02	14	56949	Wire hose clip Ø 15,88 mm
K13144_02	15	04473	Silicon hose Ø 14 x 9 mm
K13144_02	16	55748	Y unit Ø 6 mm





*coffeeing the World*

**EGRO PARTS PRICE LIST**  
version 11.2006

[www.rancilio.com](http://www.rancilio.com)